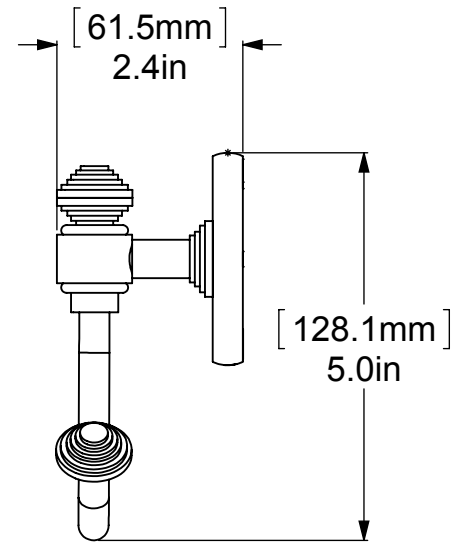
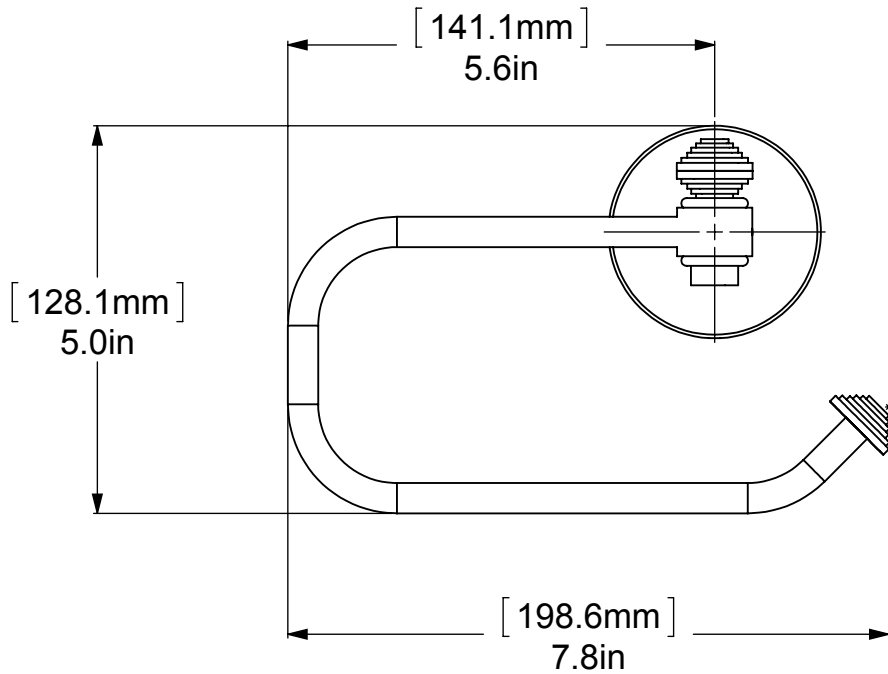
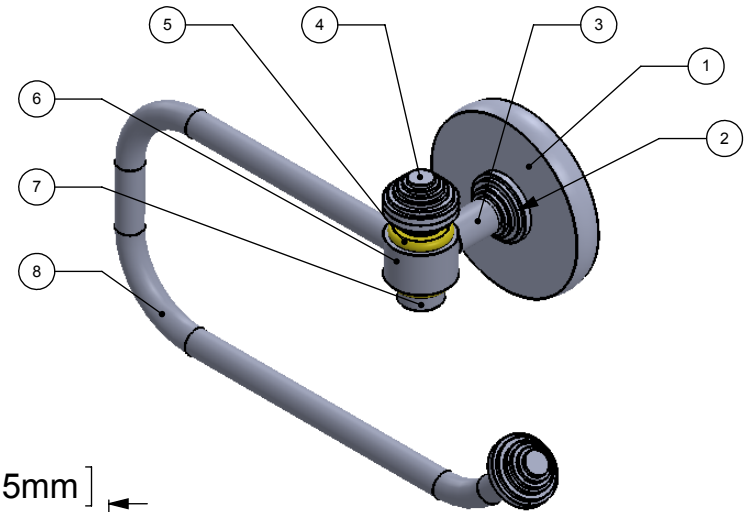


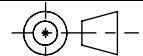
ITEM NO.	P/N	Description	QTY.
1	BPRD	BACKPLATE	1
2	RGNY-1	SUPPORT	2
3	TU12-.75	TUBE	2
4	CANY-1	CAP	2
5	CRRD-34	CHECK RING	2
6	HB2T-1	HUB	1
7	CARD-58	CAP	1
8	HKETS-38	PIPE TUBE	1



UNLESS OTHERWISE STATED

.X	±.3mm
.XX	±.15mm
.XXX	±.008mm

COPYRIGHT © Allied Brass 2016



THIRD ANGLE PROJECTION

DRAWN	2/8/2016	I.M	MATERIAL:	BRASS	FINISH	TBD	
CHECKED	2/8/2016	P.D	DESCRIPTION:	TOWEL RING	QUANTITY	TBD	
APPROVED	2/8/2016	R.A			DRAWING No.	REV	
					SB-24E		
					SCALE	1:2.5	SHEET: 01